

JUXTA F Series

General Specifications

Model : FP1P

JUXTA

Pulse Repeater

1. GENERAL

This signal conditioner converts non-voltage contact pulse, open collector contact, voltage pulse and current pulse from the field to isolated transistor contact pulses.

- Built-in 12/24V power supply for transmitter.

2. SPECIFICATIONS

IO Specifications	
Input signal	When contact or voltage pulse: 15k Ω min When current pulse: depends on load resistance
Signal source resistance	1k Ω max
Internal load resistance (current pulse)	200 Ω , 510 Ω , 1k Ω (selectable by jumper pin)
Input frequency	0 < FR \leq 6(kHz) (FR: input frequency) Possible upto 0 < FR \leq 10(kHz) at voltage pulse with amplitude of 5V min
Minimum input pulse width	ON: 60 μ s, OFF: 60 μ s
Transmitter power supply	12V DC \pm 10%, 30mA max
2-wire type	Contact ON/OFF, voltage pulse, current pulse (transmitter power supply also possible)
3-wire type	Power supply type
Contact input type	Relay contact or transistor ON/OFF contact
Contact closed	200 Ω max. Contact open: 100k Ω min
Contact capacity	15V DC, 15mA min
Filter	Selectable by jumper pin (filter time constant 10ms)
Swing width	EH-EL \geq 3V
Voltage EL (Low level)	-1V ~ +8V DC
Voltage EH (High level)	+3V ~ +24V DC
Output signals	Transistor contact (open collector)
Output frequency	Same as input frequency
Output contact capacity	30V DC, 30mA (max)
Standard performance	
Insulation resistance	100M Ω min (at 500V DC) between input-output, input-power supply
Voltage withstand	1500V AC/minute between input-output, input-power supply 500V AC/minute between output-power supply
Ambient temperature and humidity	Normal operating condition: 0~50 $^{\circ}$ C, 5~90% RH Operating limit: -10~60 $^{\circ}$ C, 5~95% RH Storage condition: -40~70 $^{\circ}$ C, 5~95% RH (no condensation)
Power supply voltage	24V DC \pm 10% (ripple : 10% P-P max)
Effect of power supply voltage fluctuation	\pm 0.1% max of span per 24V DC \pm 10% fluctuation
Effect of change in ambient temperature	\pm 0.2% max of span per 10 $^{\circ}$ C change in temperature
Current dissipation	24V DC 60mA
Mountings and dimensions	
Material	Case: ABS plastic
Boards	Both sides glass-epoxy
Mounting methods	Rack, wall, or DIN rail
Connection method	M4-screw terminals
External dimensions	72 x 24 x 127 mm (h x w x d)
Weight	130g
Accessories	
Tag number label : x 1	
Mounting blocks: x 2	ISO M4 mounting screws: x 2

FP1P-□1*B

TYPE NO.

INPUT SIGNAL

- 1: With 12V DC ±10% transmitter power supply
- 2: With 24V DC ±10% transmitter power supply

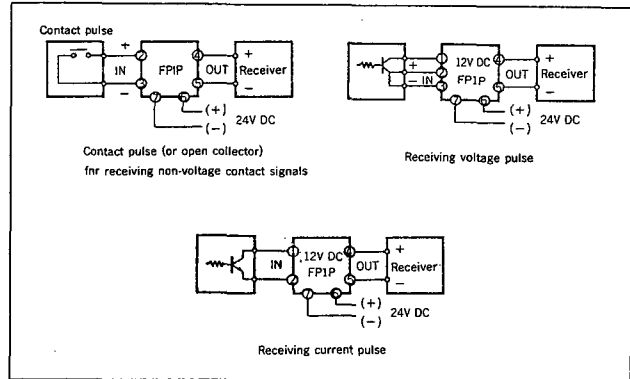
OUTPUT SIGNAL

- 1: Open collector

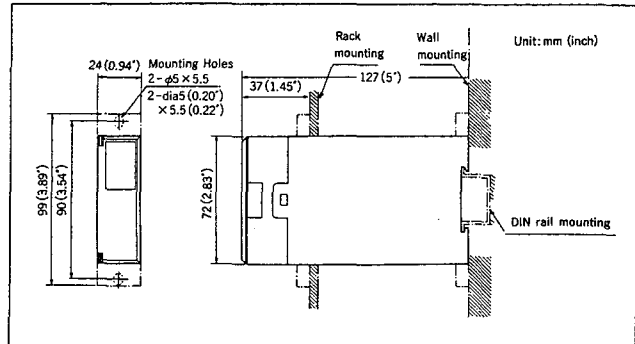
POWER SUPPLY

24V DC±10%

WIRING DIAGRAM



EXTERNAL DIMENSION



Subject to change without notice for grade up quality and performance